

The devireg™ 130-series

Applications:

Indoor room-/comfort heating.

- The devireg™ 130:
Comfort heating
(floor sensor)
- The devireg™ 131:
Room heating
(room sensor)
- The devireg™ 132:
Room heating for
wooden floors
(room & floor limit sensor)

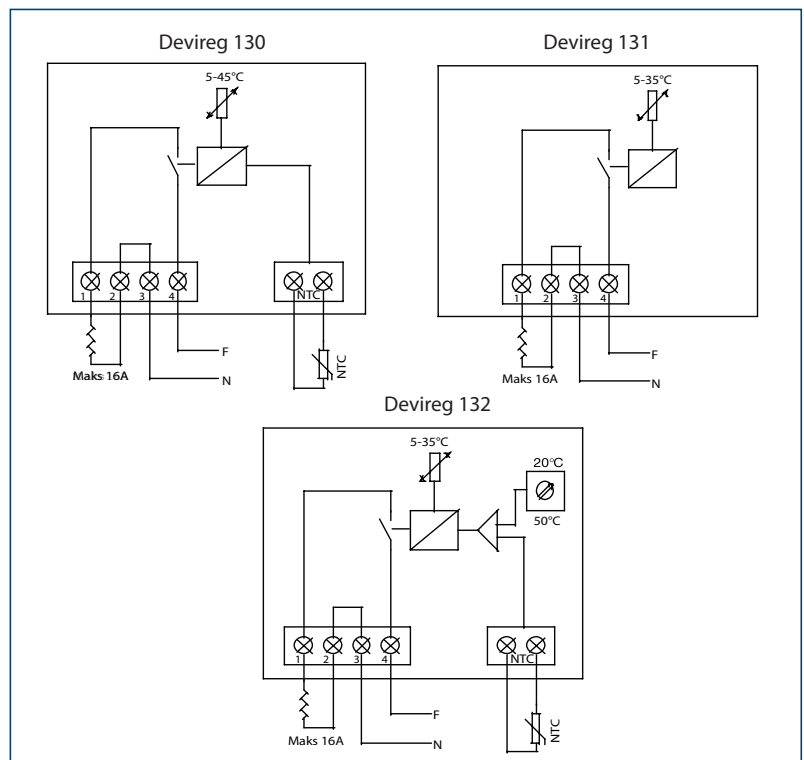


The devireg™ 130-series consists of simple but efficient indoor room thermostats with a modern design. The devireg™ 130-series ensures simple and precise controlling of electrical floor heating in rooms with all kinds of flooring.

Functions:

- Controlling the room temperature.
- Frost protection.
- devireg™ 132:
controlling the room temperature
and limiting the floor temperature
which makes the devireg™ 132
suitable for also wooden floors.

Technical data	
Operation voltage	230 VAC +10%/-20%, 50 Hz
Power consumption	Max. 5W
Relays • Resistive load • Inductive load	250V ~ 16A 1A (power factor 0.3)
Sensing unit	NTC 15 kOhm at 25°C
Sensing values • 0°C • 20°C • 50°C	42 kOhm 18 kOhm 6 kOhm
Hysteresis	~0,2°C
Temperature range • devireg™ 130 • devireg™ 131 • devireg™ 132	(0) 5-45°C (0) 5-35°C (0) 5-35°C, for temperature limiter: 20-50°C
Ambient temperature	-10° to +50°C
Frost protection	5°C
LED indicator • No light • Red light • Green light	The system is off The temperature set point is not reached The temperature set point is reached
IP class	30
Dimensions	82 mm x 82 mm x 36 mm



DEVI A/S

Ulvehavevej 61

DK-7100 Vejle

Tel.: +45 76 42 47 00

Fax: +45 76 42 47 03

www.devi.com

DEVI  TM
Member of the Danfoss Group